



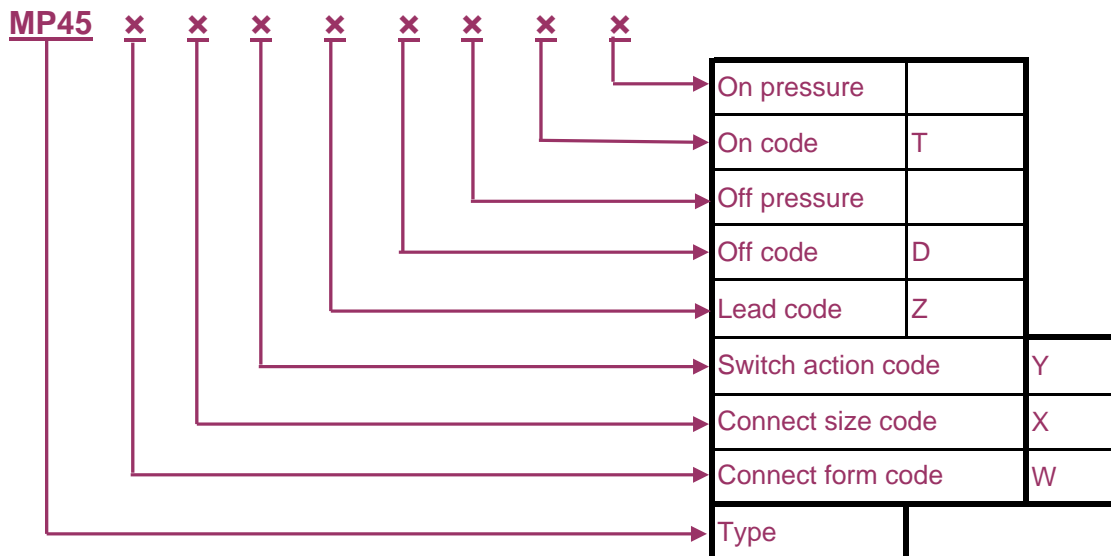
# MP45-Series Micro pressure control

## Introduction

MP45-Series Micro pressure control is an electrical switch controlled by pressure signal. It's affected by the discharge pressure of the compressor. When the discharge pressure of the compressor exceeds the setting pressure of the control, it will cut out the power supply and protect the system from undue pressure.



## Type instruction



## Code instruction

Code	Instruction
W	Connection way: Female flare“F”, Male flare“M”, Solder“W”
X	Flare size code: 01 (7/16" - 20UNF),02 (1/8" - 27UNF),03 (1/4" - 18UNF),04 (3/8" - 24UNF) Solder size code: 05 (Φ6×86),06(Φ6×94), 07 (Φ6×100), 08 (Φ6×78×60 right angled), 09 (Φ2.5×915 capillary tube)
Y	Code: A - Lead wire N.O., B - Lead wire N.C., C - Quick connect terminal N.O., D - Quick connect terminal N.C., E - Lead wire SPDT, F - Quick connect terminal SPDT
Z	Code: 10-Lead wire length 305mm,11-Lead wire length 610mm,12-Lead wire length915mm,13-Lead wire length1220m
D	Off code
Off pressure	Off pressure range: 0.02 ~ 4.5MPa(3 ~ 650 psig)
T	On code
On pressure	On pressure range: 0.02 ~ 4.5MPa(3 ~ 650 psig)

Notes: 1) Manual reset type MP45M;

2) Unless otherwise specified.

## Example:

**MP45F01B11D3T2.6**

Instruction: Type MP45, Female flare, 7/16"-20UNF,Lead wire N.C., Lead wire length 610mm,Off pressure 3MPa, On pressure 2.5MPa