

DBZ series

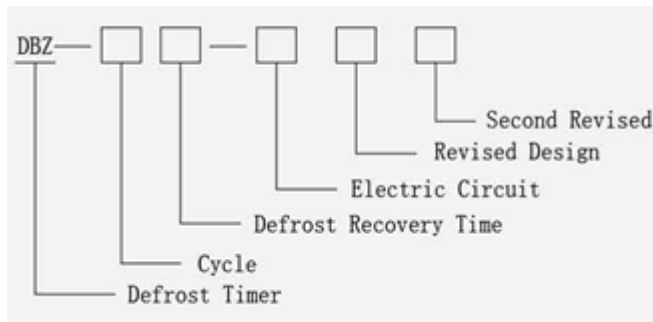
Application

Defrost timer is applicable for controlling defrost timing in the refrigerating systems of refrigerators, freezers, display cases and other refrigeration systems.

Feature

driven by mini-ACS(Alternating Current Synchronous) motors, good timing, little power consumption, low noise; high capacity switch design, better loading capacity; sophisticated structure, suitable for installing inside or outside refrigerator; mounting hole 2 - $\varnothing 3.5$. working environment -20 \pm 60 \pm .

Model illustration



Electric Performance

Item	Rate	Design No.		
		Default	\varnothing	\varnothing
Motor Rating	Rated Voltage	200 \pm 240V ac	100 \pm 120V ac	127V ac
	Frequency	50/60Hz		
Switch Rating	3 \pm 4(connect compress)	1/3hp		
	3 \pm 2(Connect defrost circuit)	5A	10A	10A

Main Model Table

No.	Product Model	Action Cycle		Defrost Recovery Time	
		50Hz	60Hz	50Hz	60Hz
1	DBZ-309	3hr41mn	3hr04min	9min	7min30s
2	DBZ-320	3hr41mn	3hr04min	20min	16min40s
3	DBZ-409	4hr	3hr18min	9min	7min30s
4	DBZ-425	4hr	3hr18min	25min	20min50s
5	DBZ-603	6hr	5hr	3min12s	2min40s
6	DBZ-617	6hr01min	5hr	17min40s	14min43s
7	DBZ£625	6hr02min	5hr	25min	20min50s
8	DBZ£802	8hr46min	7hr18min	2min24	2min540s
9	DBZ£807	8hr01min	6hr40min	7min3s	5min53s
10	DBZ£814	8hr	6hr40min	14min	11min40s
11	DBZ£8030	8hr	6hr40min	30min	25min
12	DBZ£908	9hr18min	8hr	8min24s	7min
13	DBZ£1210	12hr06min	10hr05min	10min48s	9min



DBZB series

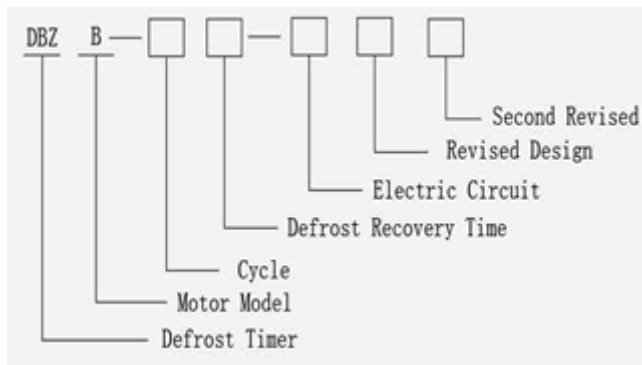
Application

Defrost timer is applicable for controlling defrost timing in the refrigerating systems of refrigerators, freezers, display cases and other refrigeration systems.

Feature

driven by specially-designed ACS(Alternating Current Synchronous) motors, quick startup, greater torque, good timing, low noise; superhigh capacity switch design, good loading capacity; most of the motor structure is metal, firm and reliable, especially good for high temperatures; working environment -20;æ;«60;æ; main shaft has three modes: high, middle and low.

Model Illustration



Electric Performance

Item	Design No. Rate	Default	φò
Motor Rating	Rated Voltage/Frequency	200;«240V ac 50/60Hz	100;«120V ac 50/60Hz
Switch Rating	2;«4(connect compress)	1/3hp»ò1/2hp	
	2;«1(Connect defrost circuit)	5A£-10A	10A£-15A

Main Model Table

No.	Product Model	Action Cycle		Defrost Recovery Time	
		50Hz	60Hz	50Hz	60Hz
1	DBZB-425	4hr48mn	4hr	25min	20min50s
2	DBZB-621	6hr	5hr	21min	17min30s
3	DBZB-625	6hr	5hr	25min	20min50s
4	DBZB-725	7hr12min	6hr	25min	20min50s
5	DBZB-730	7hr12min	6hr	30min	25min
6	DBZB-824	8hr	6hr40min	24min	20min
7	DBZB-825	8hr	6hr40min	25min	21min
8	DBZB-832	8hr	6hr40min	32min	26min40s
9	DBZB-924	9hr36min	8hr	24min	20min
10	DBZB-925	9hr36min	8hr	25min	20min50s
11	DBZB-936	9hr36min	8hr	36min	30min
12	DBZB-938	9hr36min	8hr	38min	32min
13	DBZB-1225	12hr	10hr	25min	20min50s



DBZC series

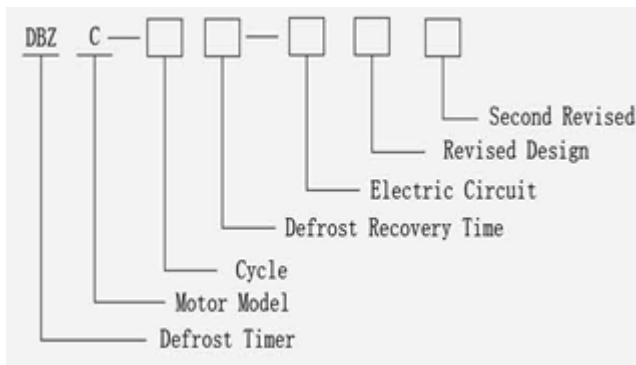
Application

Defrost timer is applicable for controlling defrost timing in the refrigerating systems of refrigerators, freezers, display cases and other refrigeration systems.

Feature

driven by mini ACS(Alternating Current Synchronous) motors, good timing, little power consumption, only 0.4~1.5W; Most of the structure is plastic, light weight; smart action structure, reliable function; working environment -20~60°C. Main shaft has three modes: high, middle and low.

Model Illustration



Electric Performance

Item	Design No.	Default	φò
	Rate		
Motor Rating	Rated Voltage /Frequency	200~240V ac 50/60Hz	100~120V ac 50/60Hz
	input power	resistance	¼ 1.5W
		capacitance	¼ 0.4W
Switch Rating	2~4(connect compress)	1/3hp~1/2hp	
	2~1(Connect defrost circuit)	5A~10A	10A~15A



Main Model Table

No.	Product Model	Action Cycle		Defrost Recovery Time	
		50Hz	60Hz	50Hz	60Hz
1	DBZC-0215	2hr	1hr40min	15min	12min30s
2	DBZC-0225	2hr	1hr40min	25min	20min50s
3	DBZC-415	4hr	3hr20min	15min	12min30s
4	DBZC-420	4hr	3hr20min	20min	16min40s
5	DBZC-424	4hr48min	4hr	24min	20min
6	DBZC-621	6hr	5hr	21min	17min30s
7	DBZC-625	6hr	5hr	25min	20min50s
8	DBZC-725	7hr12min	6hr	25min	20min50s
9	DBZC-730	7hr12min	6hr	30min	25min
10	DBZC-807	8hr	6hr40min	7min	5min50s
12	DBZC-824	8hr	6hr40min	24min	20min
13	DBZC-825	8hr	6hr40min	25min	21min
14	DBZC-832	8hr	6hr40min	32min	26min40s
15	DBZC-908	9hr36min	8hr	8min24s	7min
16	DBZC-912	9hr36min	8hr	12min	10min
17	DBZC-918	9hr36min	8hr	18min	15min
18	DBZC-925	9hr36min	8hr	24min	20min
19	DBZC-930	9hr36min	8hr	30min	25min
20	DBZC-936	9hr36min	8hr	36min	30min
21	DBZC-1021	10hr	9hr	21min	17min30s
22	DBZC-1225	12hr	10hr	25min	20min
23	DBZC-1236	12hr	10hr	36min	30min
24	DBZC-1436	14hr36min	12hr	36min	30min
25	DBZC-1615	16hr	12hr	15min	30min
26	DBZC-2496	24hr	20hr	96min	90min



DBZD series

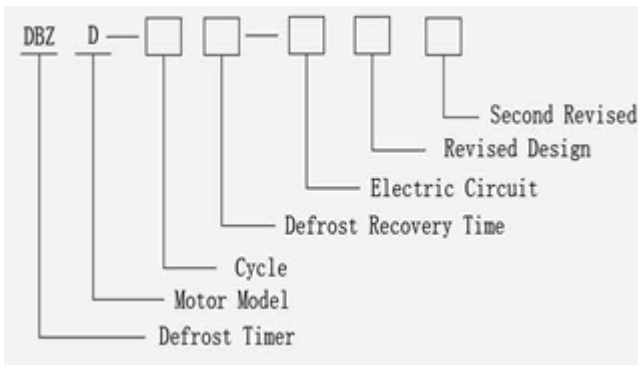
Application

Defrost timer is applicable for controlling defrost timing in the refrigerating systems of refrigerators, freezers, display cases and other refrigeration systems.

Feature

driven by ACS(Alternating Current Synchronous) motors, good timing, low power consumption, only 0.4~1.5W; high capacity switch design, good loading capacity; airtight shell design, lower noise; working environment -20~60; main shaft has two modes: high and low.

Model Illustration



Electric Performance

Item	Design No. Rate	Default	φò
Motor Rating	Rated Voltage/ Frequency	200~240V ac 50/60Hz	100 ~120V ac 50/60Hz
	input power	resistance	£¼1.5W
		capacitance	£¼0.6W
Switch Rating	2~4(connect compress)	1/3hp»ò1/2hp	
	2~1(Connect circuit)	5A£-10A	10A£-15A



Main Model Table

No.	Product Model	Action Cycle		Defrost Recovery Time	
		50Hz	60Hz	50Hz	60Hz
1	DBZD-424	4hr48min	4hr	24min	20min
2	DBZD-620	6hr	5hr	20min	16min40s
3	DBZD-625	6hr	5hr	25min	20min50s
4	DBZD-725	7hr12min	6hr	25min	20min50s
5	DBZD-730	7hr12min	6hr	30min	25min
6	DBZD-805	8hr	6hr40min	5min	4min10s
7	DBZD-824	8hr	6hr40min	24min	20min
8	DBZD-925	9hr36min	8hr	25min	20min50s
9	DBZD-930	9hr36min	8hr	30min	25min
10	DBZD-1242	12hr	10hr	42min	35min
11	DBZD-1308	13hr43min	11hr26min	8min30s	7min05s
12	DBZD-1421	14hr24min	12hr	21min24s	18min
13	DBZD-2045A	20min	16min40s	45s	37s
14	DBZD-28Y1	28hr48min	24hr	3hr36min	3hr
15	DBZD-3108	31hr12min	26hr	8min24s	7min